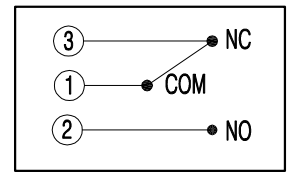
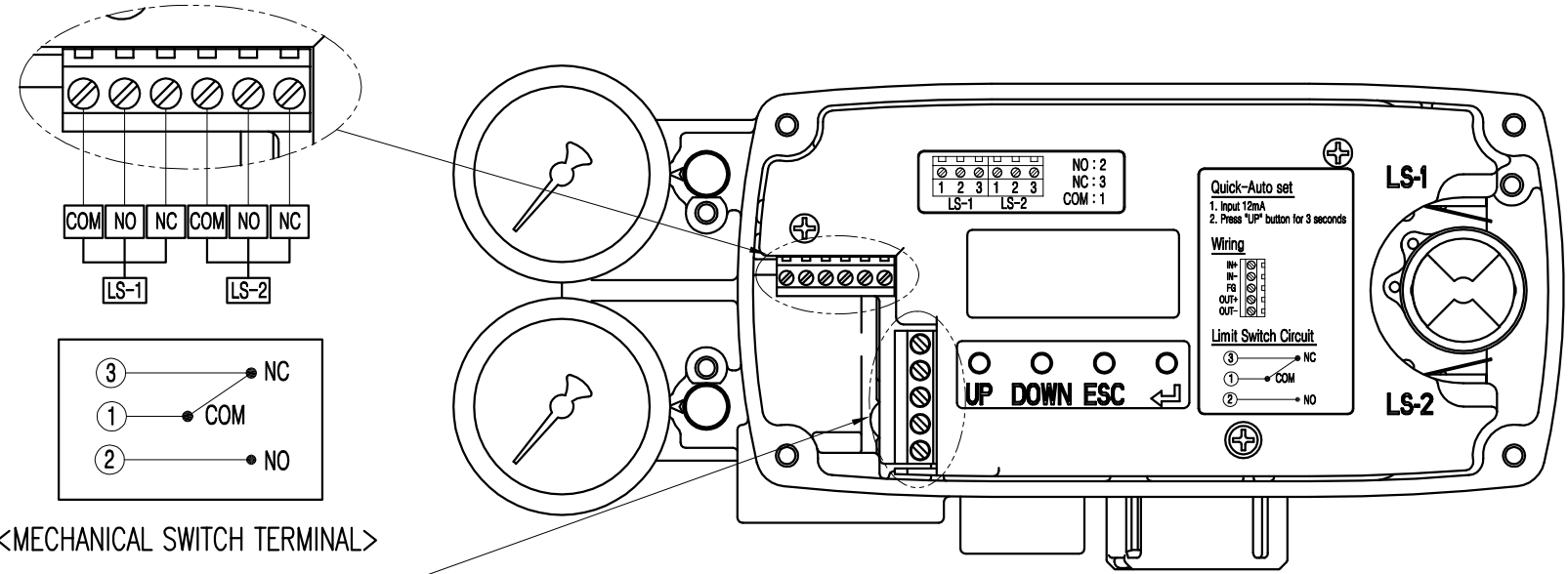
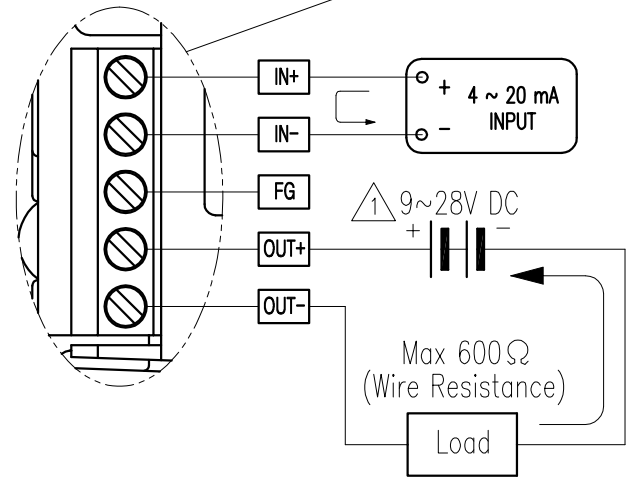


REV.NO.	REVISION DESCRIPTION	DRAWN / DATE	REVIEWED / DATE	APPROVED / DATE
△0	First Issued	KCH/110618	JCS/110618	LYH/110618
△1	DRAWING ARRANGEMENT	KBJ/121106	JCS/121106	LYH/121106



<MECHANICAL SWITCH TERMINAL>



* Micro Switch Rating
AC 125V 3A / DC 30V 2A

SURFACE TEXTURE		PRODUCT NAME SMART POSITIONER		YOUNG TECH CO., LTD. SEOUL, KOREA	
FINISH TREATMENT		MODEL YT-2500			
MATERIAL		PROJECTION	SCALE	TITLE YT-2500+PTM+L/S(Internal)	
OTHERWISE NOTE		GENERAL TOLERANCE	QUANTITY	DRAWING NO. 2500-03	
			SHEET No.	REV. 1	