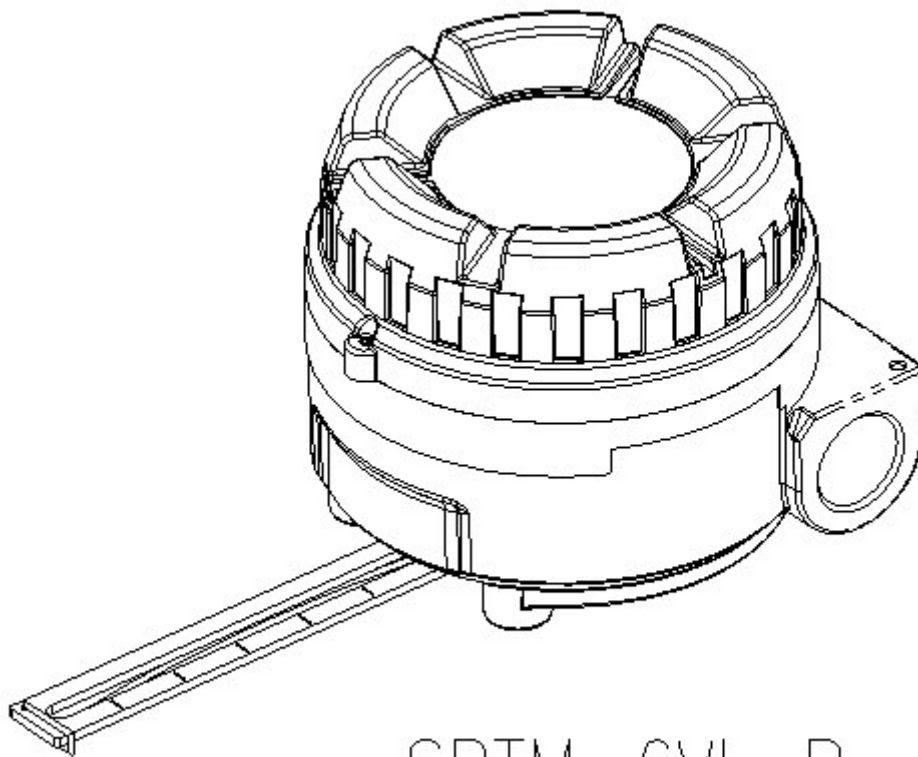

SMART POSITION TRANSMITTER

SPTM-6V SERIES

USER'S MANUAL



SPTM-6VL, R

Table of Contents	
Contents	Page No.
Introduction	3
Manufacturer Warranty	3
Product Description	4
Label Description	4
Suffix Symbol	4
Specification	5
Parts and Assembly	5
Dimension	6
Operation Logic	7
Installation	7
SPTM-5VL	7
SPTM-5VR	9
Connection – Power	10
Adjustment – Potentiometer	11
Adjustment – Setting Points	12
Adjustment – Calibration	12
Troubleshooting	13

Introduction

Thank you for choosing YTC product. Each product is fully inspected after the production to offer you the highest quality. In order to fully utilize the product, we strongly recommend users to read the manual carefully and fully understood.

- The manual should be provided to the end-user.
- The manual can be altered or revised without any prior notice. Any changes in product's specification, structure, and/or any components may not result immediate revised version of the manual.
- The manual should not be duplicated or reproduced for any purpose without any approval from Young Tech Co., Ltd, South Korea.

Manufacturer Warranty

- For the safety, it is imperative to follow instructions in the manual. It is not manufacturer's liability for any damages which caused by users' negligence.
- It is not manufacturer's liability for any damages or accidents which resulted by any alteration or modification of the product and parts. If alteration or modification is necessary, please contact the manufacturer directly.
- Manufacturer warrants the product from the date of original retail purchase of the product for one (1) year, except as otherwise stated.
- Manufacturer warranty will not cover the products that the product have been subjected to abuse, accident, alteration, modification, tampering, negligence, misuse, faulty installation, lack of reasonable care, repair or service in any way that is not contemplated in the documentation for the product, or if the model or serial number has been altered, tampered with, defaced or removed; damages that occurs in shipment, due to act of God, failure due to power surge, and cosmetic damage. Improper or incorrectly performed maintenance or report voids this Limited Warranty.
- For detailed warranty information, please contact the corresponding local Young Tech Co., Ltd office or main office in South Korea.

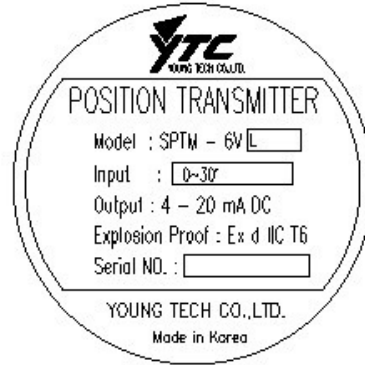
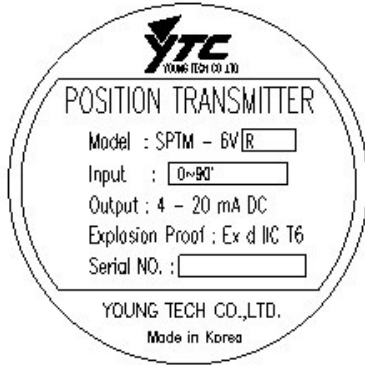
Safety Precautions

- SPTM-6V is designed for explosion proof area. The user must follow other explosion proof procedures and safety precautions.
- PTM-6V must be used under explosion proof certified environment. Temperature range is -20°C ~ 60°C. If SPTM-6V is used under non-explosion proof environment, it can be used under temperature range of -30°C ~ 85°C.

Product Description

SPTM-6V series mechanically changes the position of the stem installed on the valve or similar device and transmits DC 4~20mA of electric signal.

Label Description



- | | |
|------------------|----------------------------------|
| Model: | Indicates model number. |
| Input: | Indicates input angle range. |
| Output: | Indicates output current signal. |
| Explosion Proof: | Indicates explosion proof grade. |
| Serial Number: | Indicates unique serial number. |

Suffix Symbol

SPTM-5V series follows suffix symbols as follows.

SPTM-6V ① ② ③

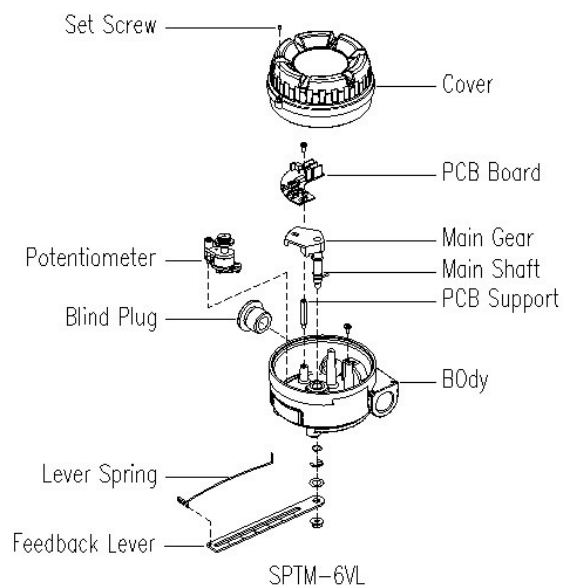
① Motion Type	L : Linear R : Rotary
② Explosion Proof	c : Ex d IIC T6
③ Feedback lever (Linear Type)	1 : 10 ~ 40 mm 2 : 20 ~ 70 mm 3 : 50 ~ 100 mm 4 : 100 ~ 150 mm
Feedback lever (Rotary Type)	1 : Standard 2 : NAMUR

Specification

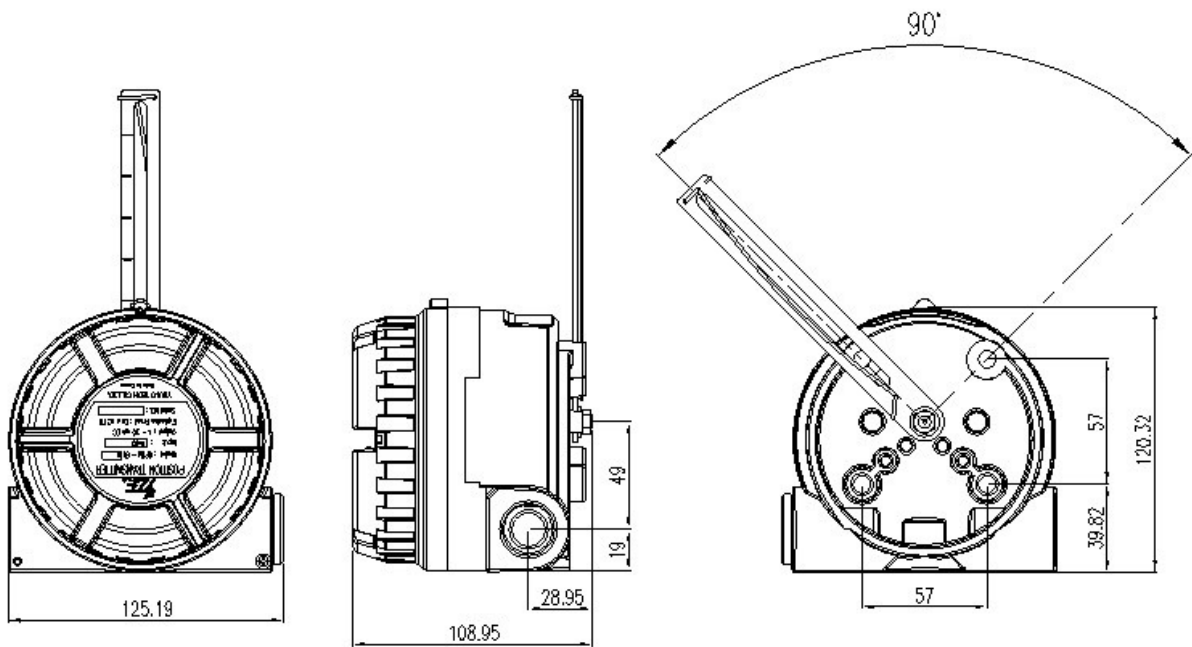
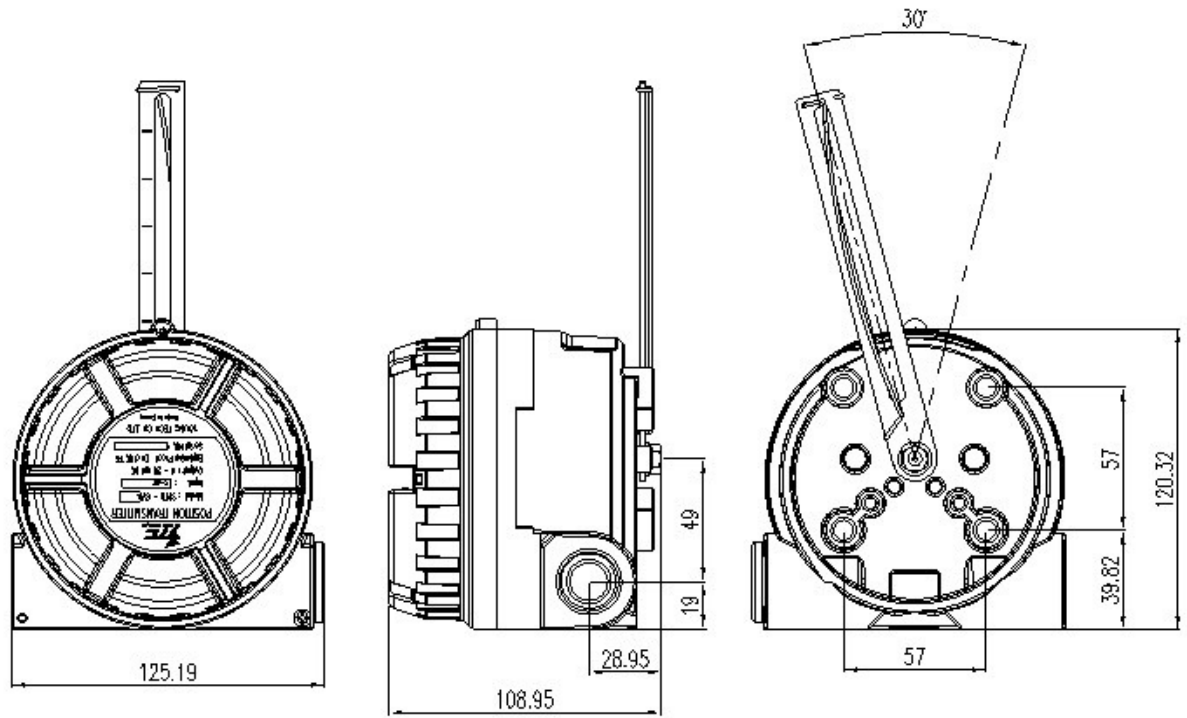
Item/Model	SPTM-6VL	SPTM-6VR
Input Type	2Wire	
Input Signal	0~30 °	0~90 °
Output Signal	4~20mA	
Load Resistance	Max.600 Ω / 28V DC	
Supply Voltage	9~28V DC	
Noise Range	50mV p.p	
Conduit	PF 1/2 (G 1/2)	
Protection	IP67	
Explosion Proof	Ex ia IIC T6 <certification is under progress>	
Ambient Temp	Operating:-30 ° C~85 ° C, Explosion:-20 ° C~60 ° C	
Linearity	± 1% F.S.	
Hysteresis	0.5% F.S.	
Sensitivity	± 0.2% F.S.	
Material	Aluminum Casting	
Weight	1.2 Kg(2.7lb)	

Parts and Assembly

SPTM-6VL is assembled as below. The only difference between SPTM-6VL and SPTM-6VR is the feedback lever.



Dimension



Operation Logic

Feedback lever main shaft rotates as position changes of valve stem transmits to Position Transmitter's feedback lever. The rotation angle information sent to potentiometer through the main shaft and resistance gear. Resistance change in the potentiometer transforms into the electric current and sent to the control center. Position changes of valve stem (0~100%) sends different electric signal (4~20mA) respectively to the control center.

Installation

Safety Warning

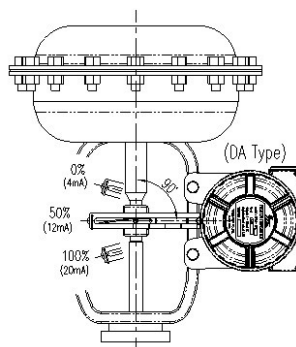
When installing the product, please make sure to read and follow safety instruction.

- Always wear safety equipments and follow safety procedures.
- Please shut down valve and actuator temporarily.
- In order to prevent shut down of total system, please utilize by-pass valve or similar and disassemble the valve which position transmitter will be installed.
- In explosive area, please make sure no explosive gas present at the installing area.

SPTM-6VL Installation

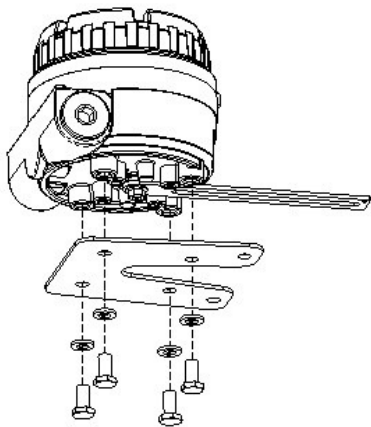
SPTM-6VL should be used in linear operating actuators that are spring return type diaphragm actuator, piston actuator with globe valve, or gate valve.

- ① Please refer to actuator and position transmitter dimensions to make proper bracket.
Please consider following when making a bracket.
 - A. Feedback lever should be leveled at 50% of valve stroke.
 - B. Feedback lever connection bar of actuator clamp should be installed at the position that the valve stroke and numbers which indicated on the feedback lever must be fitted.

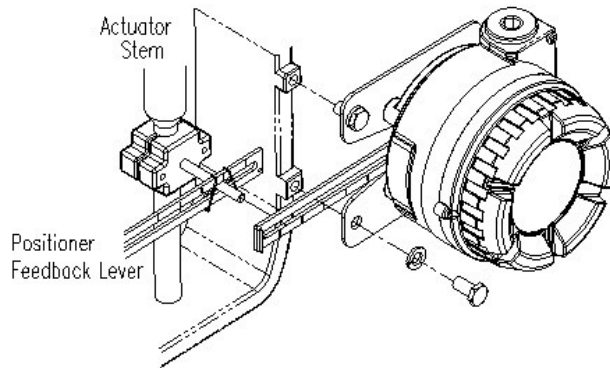


<Figure 1>

- ② Attach SPTM-6VL to the bracket, which was made in earlier step, by using bolts. <Fig 2>. Please refer to the backside of the product for size of the bolts. The standard size of bolt is M8 x 1.25P, and other bolt sizes are available. Please contact YTC sales department.



<Fig 2>

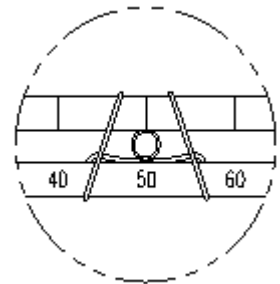


<Fig 3>

③ Attach SPTM-6VL (with bracket) to the actuator yoke – DO NOT TIGHTEN COMPLETELY.

④ Connect SPTM-6VL feedback lever to the actuator clamp. The gap on the feedback lever is 6.5mm. The connection bar thickness should be less than 6.3mm. <Fig 3>.

⑤ Connect air filter regulator to the actuator temporarily. Set supply pressure of the regulator in order to position the actuator clamp at 50% of valve stroke. <Fig 4>



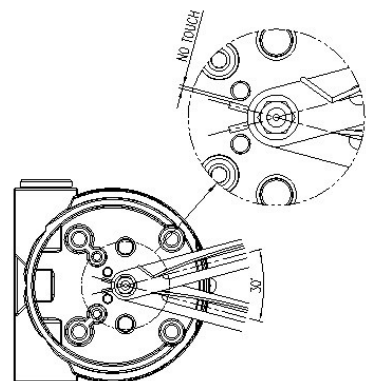
⑥ Insert connection bar into SPTM-6VL feedback lever. The connection bar should be inserted at the 50% point on the feedback lever, which would help to reduce hysteresis. <Fig 4>

<Fig 4>

⑦ Check the valve stroke. The stroke numbers are indicated on the feedback lever. Position connection bar at the number on the feedback lever according to the valve stroke. <Fig 7> To adjust, move the bracket or the connection bar.

Note

After installing SPTM-6VL, operate the valve from 0% to 100% stroke by using air filter regulator on the actuator. Both at 0% and 100%, the feedback lever should no touch the lever stopper, which is located on the backside of SPTM-6VL. <Fig 5>. If the feedback lever touches the lever stopper, SPTM-6VL should be installed further away from the center of the yoke.

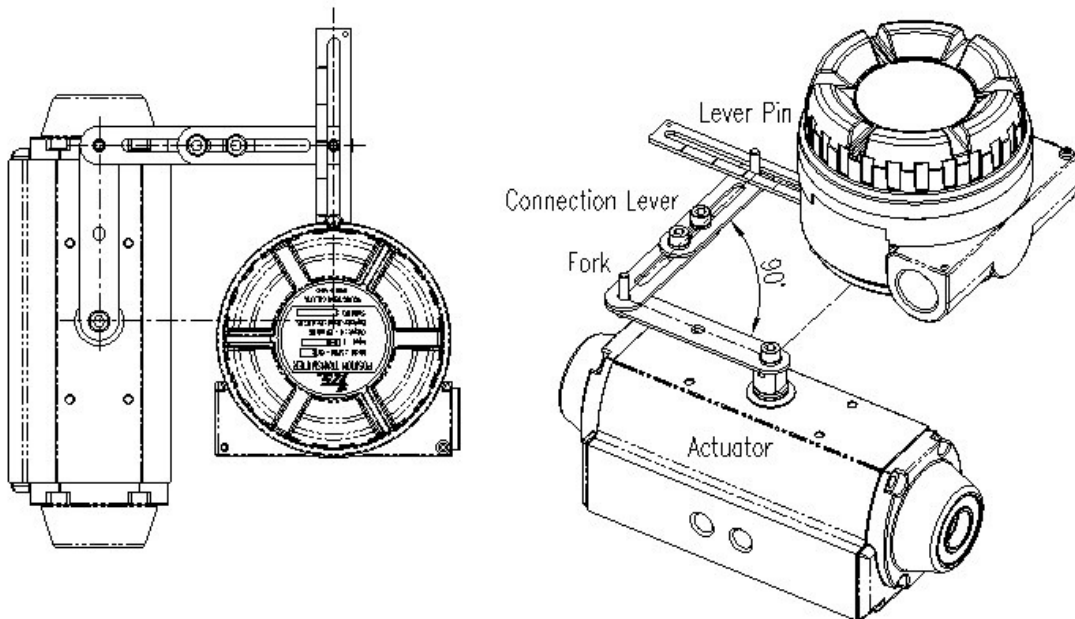


⑧ After the proper installation, tighten all of the bolts on the bracket, the feedback lever, and the connection bar.

SPTM-6VR Installation

SPTM-6VR should be used for rotary motion valve, that is ball valve, butterfly valve using rack and pinion, scotch yoke or complex type actuator, which its stem rotates 90 degrees.

- ① Before installing SPTM-6VR, please set the actuator as default position. For single acting type (spring return type), the actuator will automatically default itself when the air pressure shuts down. For double acting type (non-spring return type), the default position must be set manually according to the actuator's specification.
- ② Please refer to the actuator and the position transmitter dimensions to make appropriate bracket. SPTM-6VR offers two types of lever – standard and NAMUR. Please see <Figure 6> to make and install with appropriate bracket.



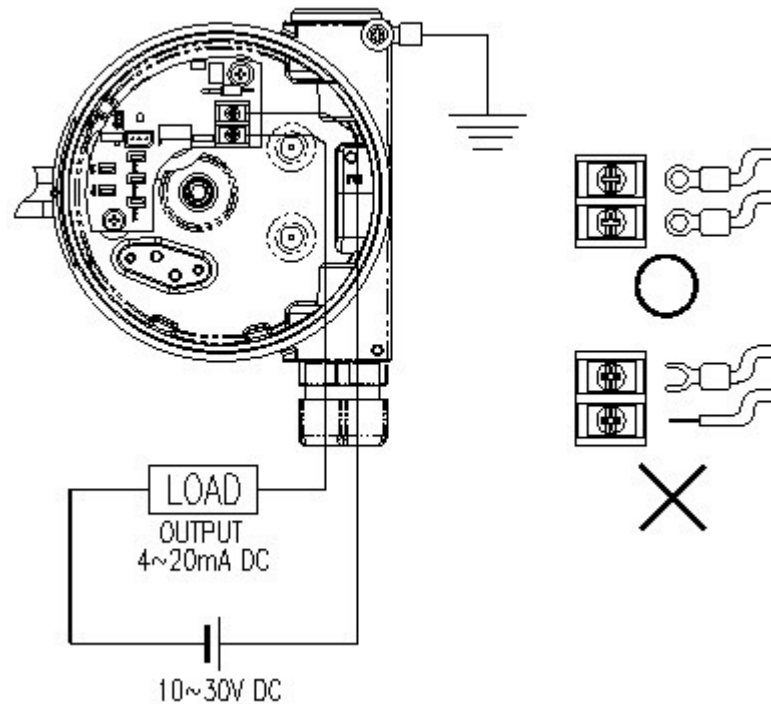
<Fig 6>

- ③ After appropriate bracket is produced, please install the assembled SPTM-5VR on the actuator, and fasten screws completely. <Figure 6>

Connection - Power

Note

- Before connecting terminal, please make sure that power is off completely.
- SPTM-6V must be grounded.
- Please use twisted cable with conductor section area 1.25 mm^2 and that is suitable for 600V (complying to the conductor table of NEC Article 310.) The outer diameter of the cable should be between 6.35~10mm. Use shield wire to protect against electro-magnetic field and noise.
- Please do not install SPTM-6V the cable near the equipments such as high-capacity transformer or motor which creates noise.

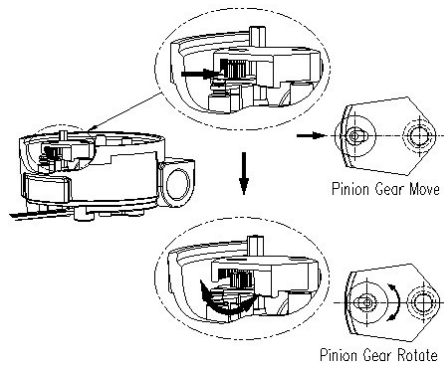


Adjustment – Potentiometer

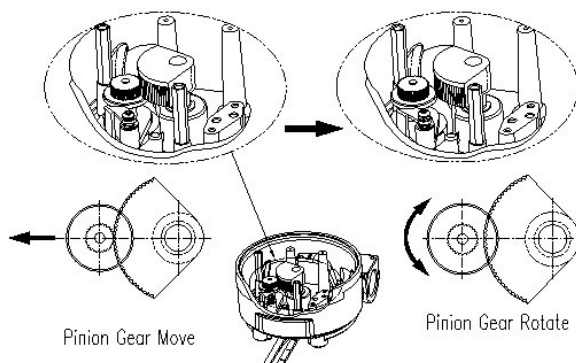
Potentiometer is designed to output 12mA signal when the feedback lever is at 50% position. In case of dislocation of the potentiometer, please follow below procedure to re-set the potentiometer.

<Fig 10 & 11>

- Power must be turned off before adjusting potentiometer.
 - Please be cautious when adjusting potentiometer.
 - Please make sure that there is no remaining circuit on the PCB.
 - Please do not use excessive force when disconnecting potentiometer from the PCB.
1. Locate the potentiometer under the PCB. Disconnect from the PCB. Please do not use excessive force.
 2. Unfasten lock screw which locks the potentiometer gear and take out potentiometer body from the lag-gear.
 3. Fix the feedback lever at 50% position and measure resistance level by connecting two probes out of three inlets.
 4. Rotate pinion gear until resistance value is about 5K Ω .
 5. After setting the resistance value, rotate stopper to the normal position and fasten the lock screw.
 6. Reconnect potentiometer to the PCB and reinstall PCB onto SPTM-6V body.



<Fig 10>



<Fig 11>

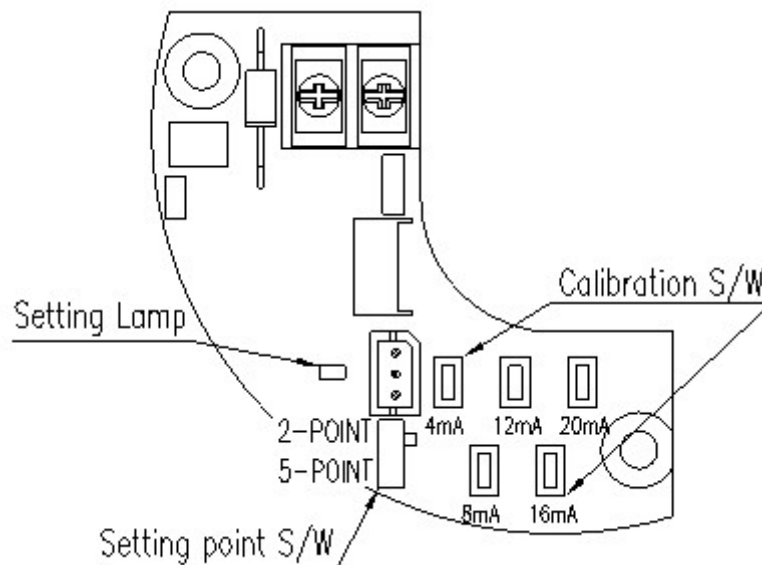
Adjustment – Setting Points

SPTM-6V can be calibrated either by following options.

1. 2 point setting
 - A. By setting minimum and maximum points <0% and 100%>, between outputs are calculated and calibrated automatically.
2. 5 point setting
 - A. By setting 5 points <0%, 25%, 50%, 75%, and 100%>, the outputs can be set accordingly. In general, 5 point setting is more accurate.

Adjustment – Calibration

1. Input 4mA signal to the positioned to move the valve stroke to the default position.
2. After valve stroke reaches at the default position, press “4mA” button for 3~4 seconds. The lamp will light, and this indicates that 4mA position is calibrated.
3. Please repeat above step for 8mA, 12mA, 16mA, and 20mA for 5 point setting. For 2 point setting, repeat above step for 20mA only.



Troubleshooting

1. SPTM-6V shows no output signal.

- A. Check actual input signal to SPTM-6V.
- B. Check power connection and + / - poles.

2. Input signal value to positioner and output signal value from SPTM-6V differs dramatically.

- A. Check input signal value and supply voltage. Insufficient voltage can affect input signal value.
- B. Check the installation of positioner. If positioner is installed improperly, please refer to positioner's manual and re-install the positioner.
- C. Set positioner's zero and span again. Inaccurate zero and span setting can lower accuracy and linearity.
- D. Check the installation of position transmitter, SPTM-6V. If SPTM-6V is installed improperly, then refer to the manual and re-install.
- E. Set SPTM-6V zero and span again.

3. Sudden change in SPTM-6V's output signal value.

- A. Please make sure that SPTM-6V's lever is placed at the 50% point. If not, SPTM-6V needs to be re-installed and adjusted to place at the 50% point.
- B. Adjust potentiometer. Potentiometer's load resistance is 10K Ω , and it should be read at the 50% point.

Young Tech Co., Ltd

Address: 662-8, Pungmu-Dong, Kimpo-City, Kyeonggi-Do, South Korea

Phone: 82-31-986-8545

Fax: 82-31-986-2683

Web: www.ytc.co.kr

This manual can be changed or revised without any prior notice. For latest version, please contact YTC website.

Issued: 2009.APR,14

Version 1.00