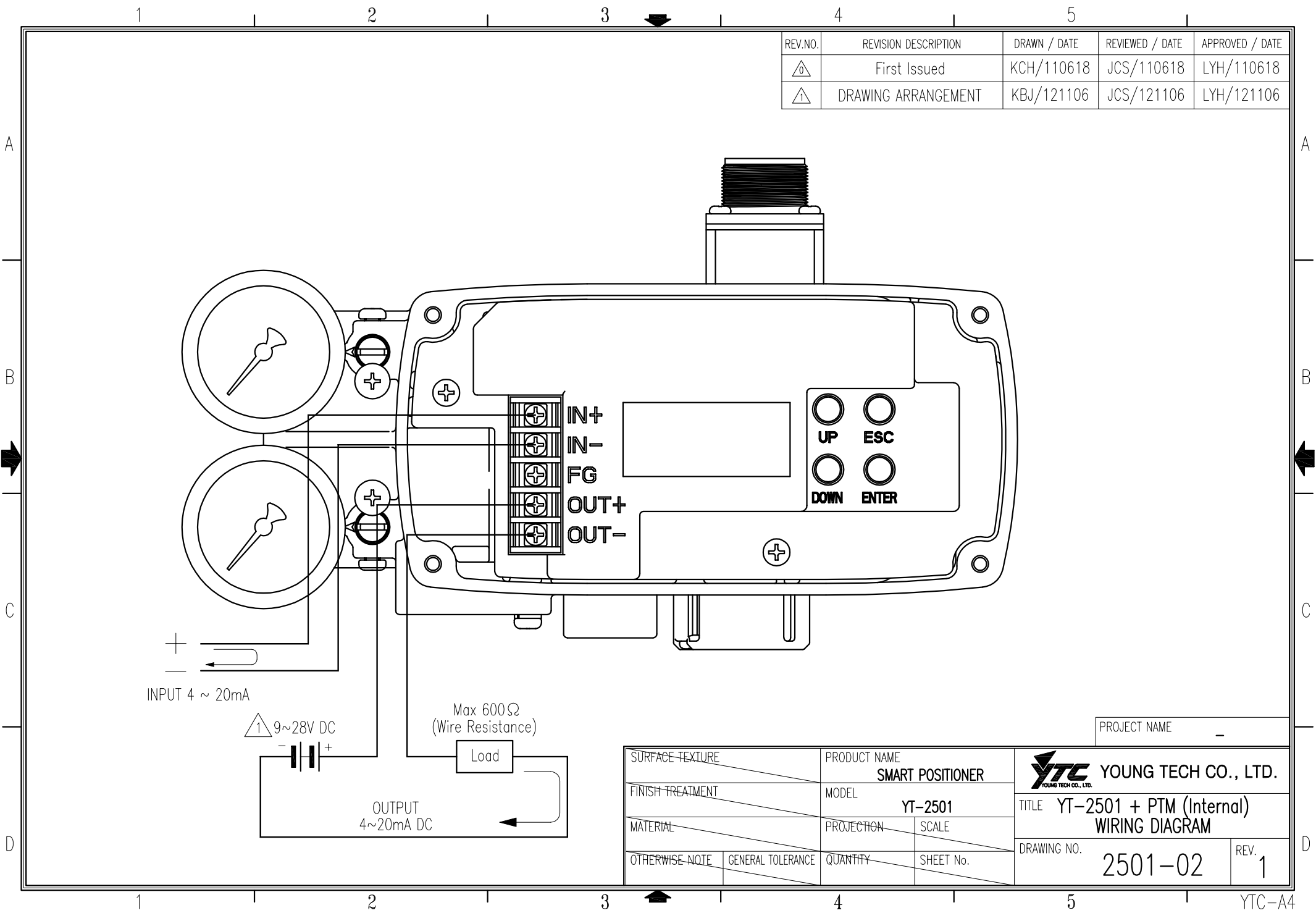


REV.NO.	REVISION DESCRIPTION	DRAWN / DATE	REVIEWED / DATE	APPROVED / DATE
△0	First Issued	KCH/110618	JCS/110618	LYH/110618
△1	DRAWING ARRANGEMENT	KBJ/121106	JCS/121106	LYH/121106



INPUT 4 ~ 20mA

△ 9~28V DC

Max 600Ω  
(Wire Resistance)

OUTPUT  
4~20mA DC

Load

SURFACE TEXTURE		PRODUCT NAME <b>SMART POSITIONER</b>	
FINISH TREATMENT		MODEL <b>YT-2501</b>	
MATERIAL		PROJECTION	SCALE
OTHERWISE NOTE	GENERAL TOLERANCE	QUANTITY	SHEET No.

PROJECT NAME -

**YTC** YOUNG TECH CO., LTD.  
YOUNG TECH CO., LTD.

TITLE **YT-2501 + PTM (Internal)  
WIRING DIAGRAM**

DRAWING NO. **2501-02** REV. **1**